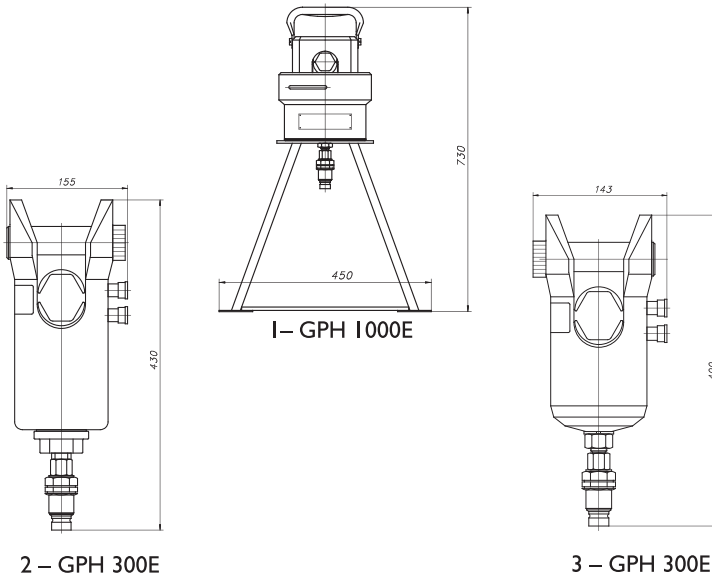


HEADS OF HYDRAULIC PRESSES



DRAWING	CAT. NO	WORKING PRESSURE MPa	PRESSURE kN	MASS Kg
1	60022/E	38	1000	43.7
2	60742/E	38	300	19
3	9552/E	38	300	7.5

Application:

These heads are part of hydraulic presses for assembly of some overhead lines fittings and power station fittings on conductors by the compression method.

Notes:

- 1 – works with hydraulic aggregate AH 400-B-FI (60032/230)
- 2 – works with hydraulic aggregate AH 400-B-FI (60032/230), hydraulic pump H-700-B (60045)
- 3 – works with hydraulic aggregate AH 400-B-FI (60032/230), hydraulic pump H-700-B (60045)