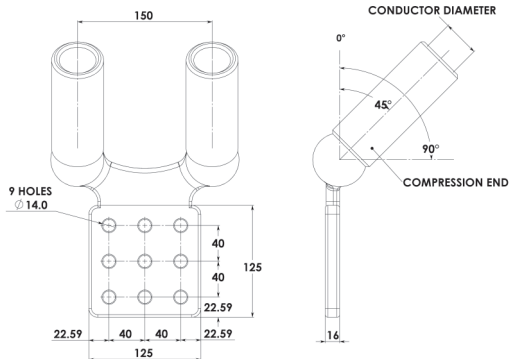
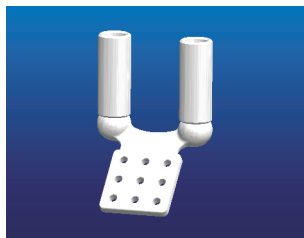
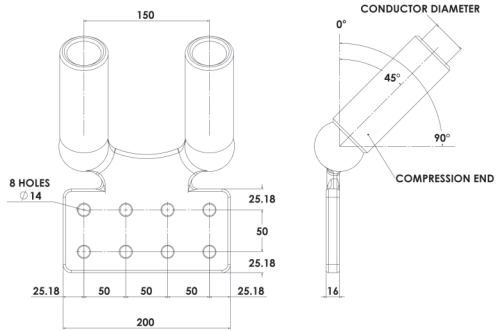
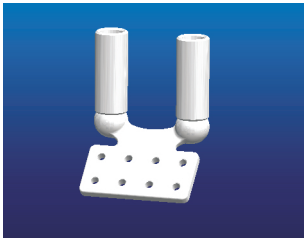
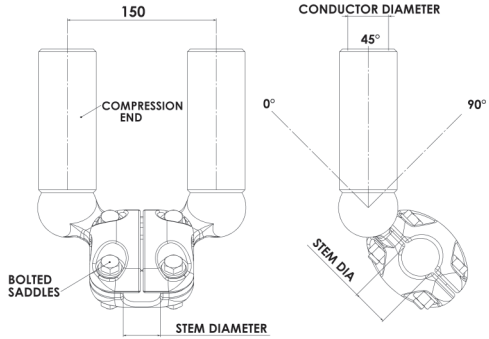
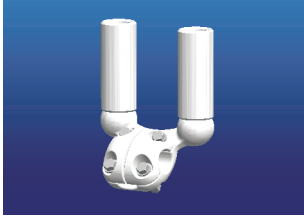


EYC



INDEX

S - 8



Copyright 2010 Preformed Line Products • All rights reserved
 Telephone: 033 397 5800 • Facsimile: 033 387 7094
 Email: plppmb@preformedsa.co.za
 Website: www.preformedsa.co.za

EYC

These clamps are similar to the bolted “EY” clamps, however on the pair of stranded conductor's side it has compression connections with 0°, 45° or 90° orientation. Two clamping saddles are provided for the bolted connection.

NEW TYPE DESIGNATION	OLD TYPE DESIGNATION	EQUIPMENT TERMINAL A	CONDUCTOR DIAMETER (mm)	ANGLE OF OFF SET	RATED CURRENT [In] (A rms)	MAXIMUM VOLTAGE [Um] (KVrms)
EYC – A	YC1	38	26.5	0°	1600	300
EYC – B	YC2	38	38.3	0°	1600	400
EYC – C	YC3	38	26.5	45°	1600	300
EYC – D	YC4	38	38.3	45°	1600	420
EYC – E	YC5	38	26.5	90°	1600	300
EYC – F	YC6	38	38.3	90°	1600	420
EYC – G	YC7	60	38.3	0°	2700	420
EYC – H	YC8	60	38.3	45°	2700	420
EYC – J	YC9	60	38.3	90°	2700	420
EYC – K	YC10	26	26.5	0°	1000	300
EYC – L	YC11	26	26.5	45°	1000	300
EYC – M	YC12	26	26.5	90°	1000	300
EYC – N	YC13	9 Bolt Pad to IEC 60518	38.3	0°	2700	420
EYC – P	YC14	9 Bolt Pad to IEC 60518	38.3	45°	2700	420
EYC – Q	YC15	9 Bolt Pad to IEC 60518	38.3	90°	2700	420
EYC – R	YC16	8 Bolt Pad to IEC 60518	38.3	0°	2700	420
EYC – S	YC17	8 Bolt Pad to IEC 60518	38.3	45°	2700	420

INDEX

S - 9

EYC

NEW TYPE DESIGNATION	OLD TYPE DESIGNATION	EQUIPMENT TERMINAL A	CONDUCTOR DIAMETER (mm)	ANGLE OF OFF SET	RATED CURRENT [In] (A rms)	MAXIMUM VOLTAGE [Um] (KVrms)
EYC – T	YC18	8 Bolt Pad to IEC 60518	38.3	90°	2700	420
EYC – U	YC19	9 Bolt Pad to IEC 60518	26.5	0°	1700	300
EYC – V	YC20	9 Bolt Pad to IEC 60518	26.5	45°	1700	300
EYC – W	YC21	9 Bolt Pad to IEC 60518	26.5	90°	1700	300
EYC – X	YC22	8 Bolt Pad to IEC 60518	26.5	0°	1700	300
EYC – Y	YC23	8 Bolt Pad to IEC 60518	26.5	45°	1700	300
EYC – Z	YC24	8 Bolt Pad to IEC 60518	26.5	90°	1700	300
EYC – AA	YC25	60	26.5	0°	1700	300
EYC – AB	YC26	60	26.5	45°	1700	300
EYC – AC	YC27	60	26.5	90°	1700	300

* Refer to page S - 23 for the die size for Alcan Compression Fittings

INDEX

S - 10

