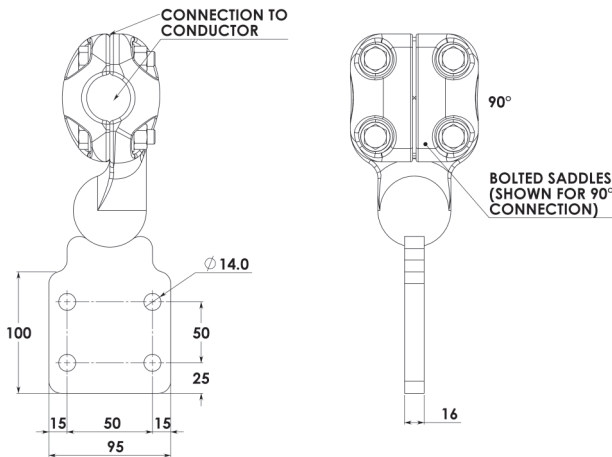
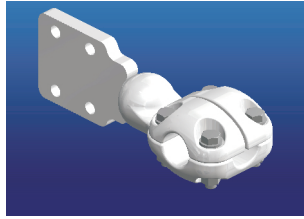


EXP



These bolted cross-pad clamps are intended for making connections between stranded conductors/stems and pads. These clamps should not be used as adaptors.

NEW TYPE DESIGNATION	OLD TYPE DESIGNATION	STEM DIAMETER (mm)	PALM SIZE (mm)	MAX RATING (A)	MAXIMUM VOLTAGE [Um] (KV rms)
EXP – A	STP 26	26	100 X 100	900	245
EXP – B	STP 38	38	100 X 100	1350	300

INDEX

- All clamps supplied with M12 Galvanised Bolts, nuts & washers
- Recommended Torque (Nm): 45 Nm

S - 20

