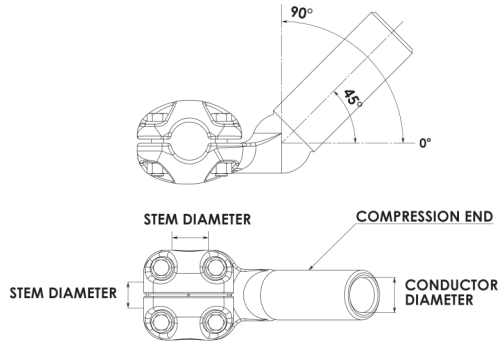
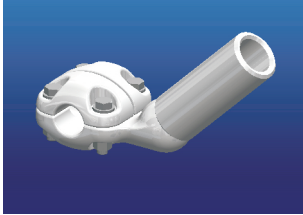


EXC



These bolted-compression clamps are designed for making connections between a solid terminal stem and a stranded conductor. The bolted end is intended for bolting to a solid stem, whilst the compression end is designed for crimping onto a stranded conductor. The bolted end is fitted with two independent clamping saddles.

NEW TYPE DESIGNATION	OLD TYPE DESIGNATION	EQUIPMENT TERMINAL A	CONDUCTOR DIAMETER (mm)	ANGLE OF OFFSET	RATED CURRENT [In] (A rms)	MAXIMUM VOLTAGE [Um] (KV rms)
EXC-A	KC1	26	26.5	0°	850	300
EXC-B	KC2	38	26.5	0°	850	300
EXC-C	KC3	38	38.3	0°	1350	420
EXC-D	KC4	38	38.3	45°	1350	420
EXC-E	KC5	38	38.3	90°	1350	420
EXC-F	KC6	38	26.5	45°	850	300
EXC-G	KC7	38	26.5	90°	850	300
EXC-H	KC8	38	18.1	0°	500	245
EXC-J	KC9	35	26.5	0°	850	300
EXC-K	KC10	35	38.3	0°	1200	420
EXC-L	KC11	26	26.5	45°	850	300
EXC-M	KC12	26	18.1	0°	500	245

- All clamps supplied with M12 Galvanised Bolts, nuts & washers
- Recommended Torque (Nm): 45 Nm

INDEX

S - 3