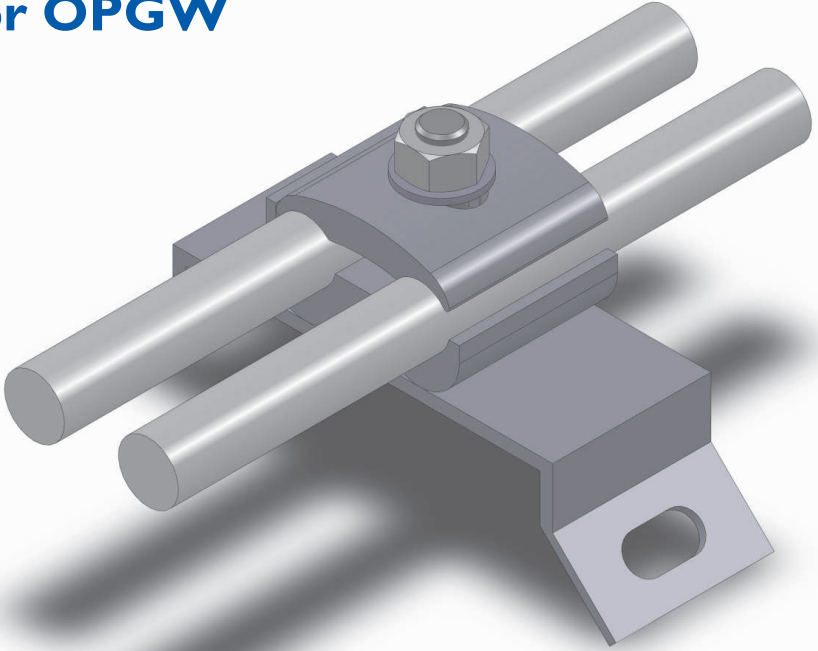


FIBERLIGN® Non-insulated Mono Pole Downlead Clamp for OPGW



Be sure to read and completely understand this procedure before applying product.
Be sure to select the proper PREFORMED™ product before application.

I. Nomenclature

I.2 DLCNINS Type – Cat No. suffix in accordance with cable O.D.

CATALOGUE NO	DIAMETER RANGE mm	
	MIN.	MAX.
DLCNINS 1556-IB	3.71	14.35
DLCNINS 2674-IB	6.6	18.8

INDEX

F - 24