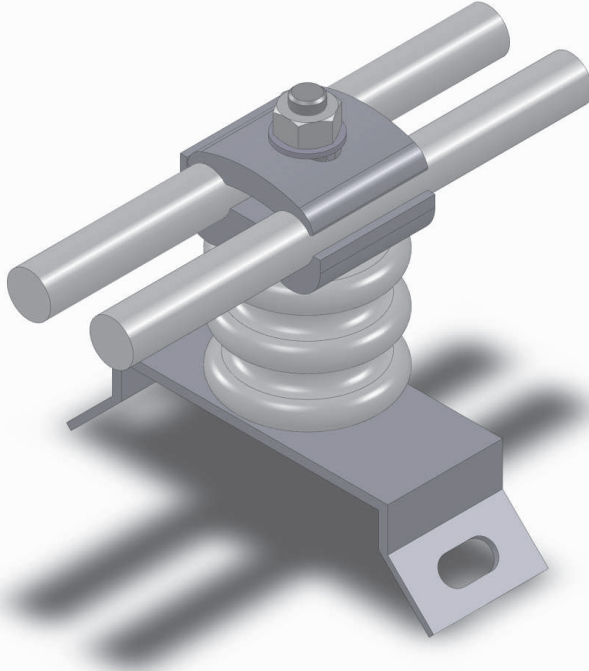


FIBERLIGN® Insulated Mono Pole Downlead Clamp for OPGW



The clamp body is made from aluminium alloy, and is designed to clamp onto the angle iron member of steel towers, and to secure OPGW downleads to structures while minimising compressive clamping forces which could be transferred to the optical elements.

The fasteners are stainless steel and specially selected for this application. The unit is supplied complete with a ceramic insulator to provide insulation of OPGW.

CATALOGUE NO

DIAMETER RANGE mm MIN. MAX.

DLCINS 1556-IB

3.71

14.35

DLCINS 2674-IB

6.6

18.8

INDEX

F - 23



Copyright 2010 Preformed Line Products • All rights reserved
Telephone: 033 397 5800 • Facsimile: 033 387 7094
Email: plppmb@preformedsa.co.za
Website: www.preformedsa.co.za