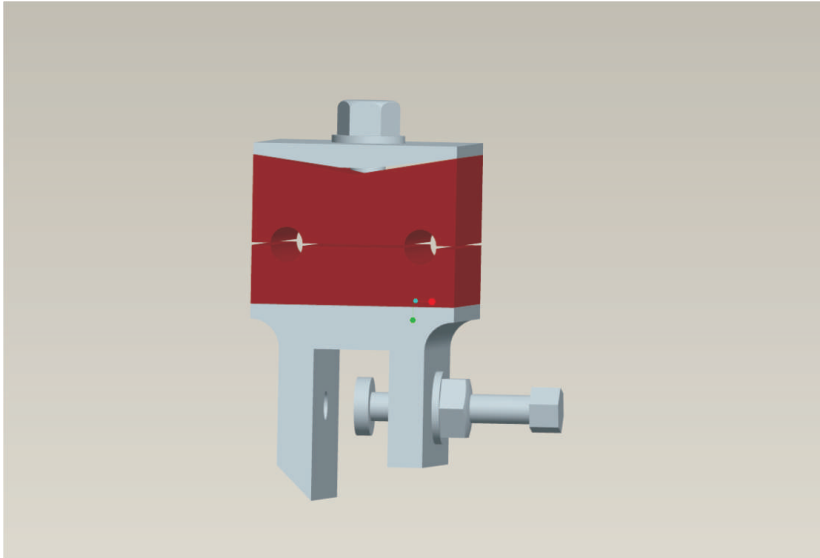


FIBERLIGN[®] Downlead Cushioned Clamp



The clamp body is made from aluminium alloy, and is designed to clamp onto the angle iron member of steel towers, and to secure OPGW or ADSS downleads to structures while minimising compressive clamping forces which could be transferred to the optical elements.

The fasteners are stainless steel and specially selected for this application. The unit is supplied complete with urethane cushions of the selected size.

CATALOGUE NO.	DIAMETER RANGE mm	
	MIN.	MAX.
DC 8003041	9.5	11.8
DC 8003042	11.9	14.3
DC 8003043	14.4	16.7
DC 8003044	16.8	19.0

INDEX
F - 20