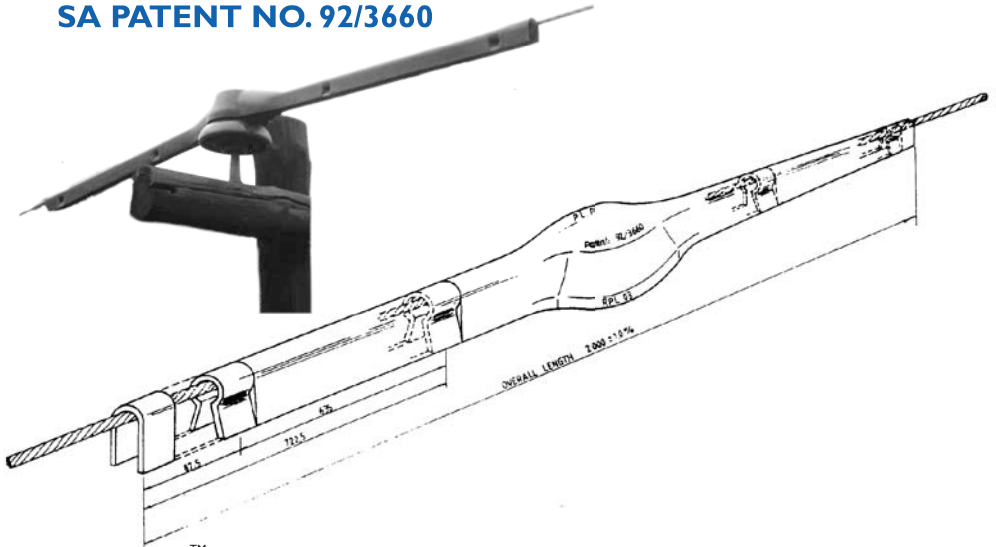


RAPTOR™ Protector

SA PATENT NO. 92/3660



The RAPTOR™ PROTECTOR is intended to permanently cover up energised conductors at support points solely for the purpose of preventing accidental contact with the conductors by birds, as they perch on the support points of the structure. IT SHOULD NOT BE CONSIDERED AS A COMPLETELY INSULATED COVERING AND SHOULD NOT BE USED AS A COVER UP DEVICE TO PROTECT HUMANS FROM ELECTRICAL SHOCK.

The RAPTOR™ PROTECTOR consists of:

- One moulded alkathene product approximately 2 000 mm in length;
- Automatic clipping device for securing the component onto the insulator and conductor.

This complete product will fit over all types of distribution insulators currently in use, and conductors up to and including 16 mm OD.

Catalogue No.: RPL 03

Material: Rotor Moulded Alkathene.

INDEX

Notes: Automatic clipping devices to clamp firmly onto conductor dia. range 8 mm to 16 mm.

E - 6



Copyright 2010 Preformed Line Products • All rights reserved
Telephone: 033 397 5800 • Facsimile: 033 387 7094
Email: plppmb@preformedsa.co.za
Website: www.preformedsa.co.za