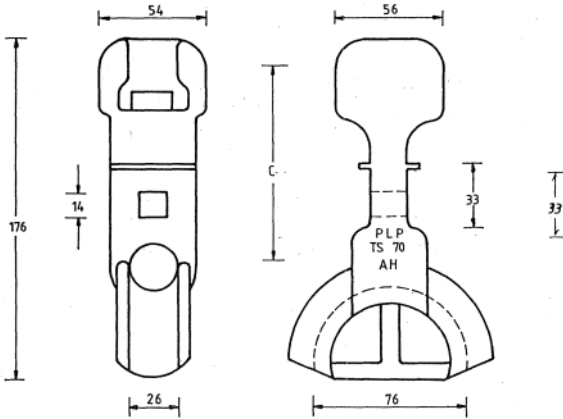


## Thimble Socket (Arching Horn Type)



**Coupling Length:** C = 105

**CAT No:** TS 70 AH

This fitting is similar to TS 70 but for use when arching horns are specified.

**Material:** Malleable Cast Iron

Galvanised to SABS 763

**Min. Failing Load:** 135kN

INDEX

D - 68



Copyright 2010 Preformed Line Products • All rights reserved

Telephone: 033 397 5800 • Facsimile: 033 387 7094

Email: [plppmb@preformedsa.co.za](mailto:plppmb@preformedsa.co.za)

Website: [www.preformedsa.co.za](http://www.preformedsa.co.za)