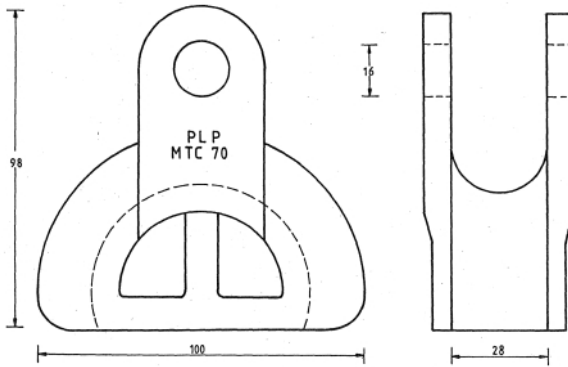


Thimble Clevis Malleable Iron



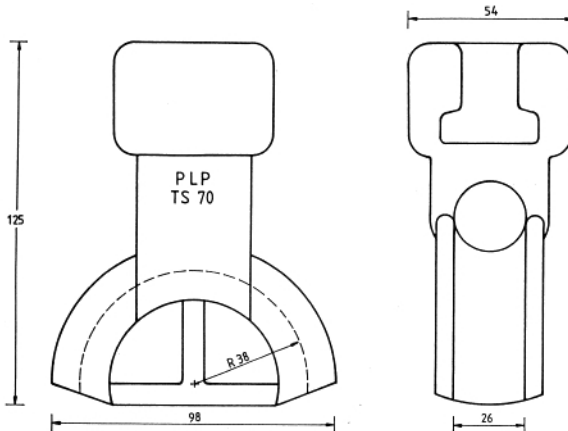
CAT No: MTC 70

This fitting is an alternative to the aluminium Thimble Clevis and is designed for use with PREFORMED™ copper or steel Dead Ends or Guy Grips.

Material: Malleable Cast Iron
Galvanised to SABS 763

Min. Failing Load: 70kN

Thimble Socket



CAT No: TC 70

or the attachment of PREFORMED™ Dead Ends to ball-end insulators.

Material: Malleable Cast Iron
Galvanised to SABS 763

Min. Failing Load: 70kN

INDEX

D - 67